

Centurion™ Series

Proven Protection That Balances Aesthetics With Physical Performance

Centurion (CE) Series fiberglass-reinforced polyester enclosures have been designed for general electrical and electronic applications, as well as industrial and OEM applications requiring broader protection from environmental forces. They offer a unique feature provided by a hidden hinge design and flush fitting cover, making **Centurion** Series enclosures ideal for applications such as control stations and operator interface units in both MRO and OEM environments.

These enclosures, with their smooth, rounded edges and contemporary aesthetics, enhance the appearance of any instrument installation. They are especially well suited for applications with prominent visibility in both industrial and commercial applications.

Of equal importance, **Centurion** Series enclosures are truly tough and durable in the most demanding uses. Both chemical resistance and watertight capabilities make them ideal across a broad spectrum of environmental installations.

CENTURION SERIES ATTRIBUTES

- Available in 2 cover options:
 1. Opaque cover
 2. Flush bonded window
- Stands up to an exceptionally broad range of chemical exposures
- High impact resistance
- Double insulated material. No incidental electrical contact
- Hidden hinge design
- UV Resistant
- Soft edge design, smooth lines, flush cover
- Super abrasion-resistant acrylic window
- High temperature, flame retardant, non-corrosive, environmental designs

CENTURION SERIES INDUSTRY STANDARDS

UL/cUL File #	E64358
NEMA Ratings (UL508A, UL50 & UL50e)	1, 3, 3S, 4X, 12
CSA Std. C22.2 File #	LR069014
UL 1741 File #	E333478
Temperature Range	(-76°F to +274°F) (-60°C to +134°C)
Flammability Rating	UL94-5V
Self Extinguishing	Non-Halogenated, Non-flame propagating
NFPA No. 101 Flame Spread	Class A (1)
Certifications	UL, CSA, CE, REACH, RoHS
Outdoor UV Exposure (UL 746C)	(f1) Rated
Chemical Resistance	See chart on page 120

Centurion (CE)



HW



HPL

Centurion | Flush Bonded Window (CEW)



HW



HPL

Centurion | HW

HINGED, 2 COVER SCREWS



CONSTRUCTION

Material (Box & Cover)	Hot Compression Molded Fiberglass Reinforced Polyester (Thermoset)
Gasket Material	Poured polyurethane seamless gasket
Back Panel Screw Size	#10-32 x 3/8
Cover Screw Material	304 Stainless Steel
Cover Screw Size	#10-24 x 1
Cover Screw Torque	20-24 in.-lbs.
Hinge and Latch Hardware	304 Stainless Steel
Soft Edge Design	Rounded Edges, Minimal Protrusions Or Exposed Pocket Areas

INDUSTRY STANDARDS

UL/cUL File #	E64358
NEMA Ratings (UL508A, UL50 & UL50e)	1, 3, 3S, 3R, 4X, 12
CSA Std. C22.2 File #	LR069014
UL 1741 File #	E333478
Temperature Range	(-76°F to +274°F) (-60°C to +134°C)
Flammability Rating	UL94-5V
Self Extinguishing	Non-Halogenated, Non-flame propagating
NFPA No. 101 Flame Spread	Class A (1)
Certifications	UL, CSA, CE, REACH, RoHS
Outdoor UV Exposure (UL 746C)	(f1) Rated
Chemical Resistance	See chart on page 120

ACCESSORIES

BACK PANELS

Aluminum	BP__A	pg. 108
Carbon Steel	BP__CS	pg. 108

MOUNTING FEET

Mounting Feet	pg. 113
----------------------	---------

ACCESSORIES

4X Breather Vent	pg. 102
4X Drain Vent	pg. 102
PluggIt	pg. 103
Thermal Accessories	pg. 115
All Other Accessories	Pg. 102-117

MODIFICATIONS

Custom Colors	pg. 10-11
Silk Screening	pg. 10-11
EMI/RFI Shielding	pg. 10-11
Custom Window	pg. 10-11
Custom Cutouts/Holes	pg. 10-11

Centurion | HPL

HINGED, PADLOCK LATCH



CONSTRUCTION

Material (Box & Cover)	Hot Compression Molded Fiberglass Reinforced Polyester (Thermoset)
Gasket Material	Poured polyurethane seamless gasket
Back Panel Screw Size	#10-32 x 3/8
Hinge and Latch Hardware	304 Stainless Steel
Soft Edge Design	Rounded Edges, Minimal Protrusions Or Exposed Pocket Areas

INDUSTRY STANDARDS

UL/cUL File #	E64358
NEMA Ratings (UL508A, UL50 & UL50e)	1, 3, 3S, 3R, 4X, 12
CSA Std. C22.2 File #	LR069014
UL 1741 File #	E333478
Temperature Range	(-76°F to +274°F) (-60°C to +134°C)
Flammability Rating	UL94-5V
Self Extinguishing	Non-Halogenated, Non-flame propagating
NFPA No. 101 Flame Spread	Class A (1)
Certifications	UL, CSA, CE, REACH, RoHS
Outdoor UV Exposure (UL 746C)	(f1) Rated
Chemical Resistance	See chart on page 120

ACCESSORIES

BACK PANELS

Aluminum	BP__A	pg. 108
Carbon Steel	BP__CS	pg. 108

MOUNTING FEET

Mounting Feet	pg. 113
----------------------	---------

ACCESSORIES

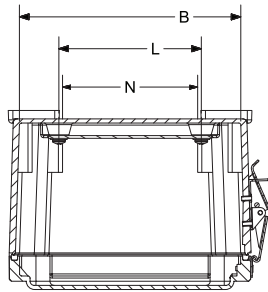
4X Breather Vent	pg. 102
4X Drain Vent	pg. 102
Pluggit	pg. 103
Thermal Accessories	pg. 115
All Other Accessories	Pg. 102-117

MODIFICATIONS

Custom Colors	pg. 10-11
Silk Screening	pg. 10-11
EMI/RFI Shielding	pg. 10-11
Custom Window	pg. 10-11
Custom Cutouts/Holes	pg. 10-11

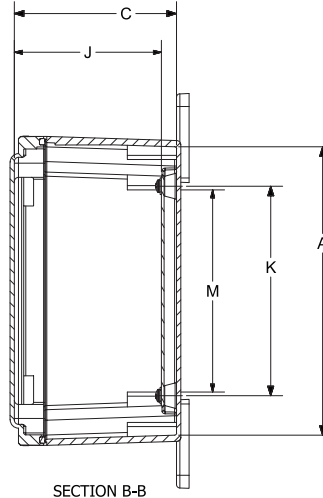
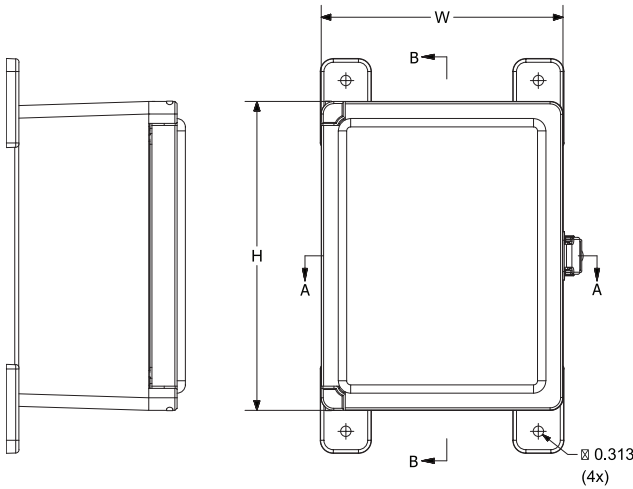
Centurion | HW & HPL

TECHNICAL DRAWINGS / DIMENSIONS

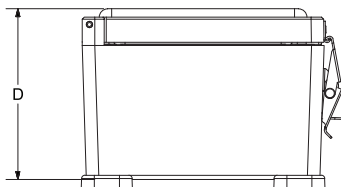
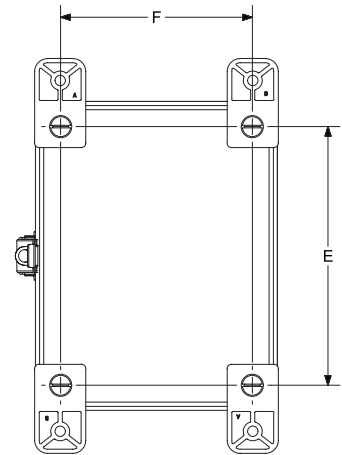


SECTION A-A

CENTURION SERIES



SECTION B-B



NOTES:

1. CATALOG DRAWING IS FOR REFERENCE ONLY
2. SEE ACTUAL PART DRAWING FOR SPECIFIC DESIGN
3. NOTE J DIMENSION IS WITH BACK PANEL INSTALLED
4. BACK PANEL IS SOLD SEPARATELY
5. MOUNTING FEET SHOWN AS INSTALLED - FOR REFERENCE ONLY
6. MOUNTING FEET ARE SOLD SEPARATELY

CENTURION SERIES ENCLOSURES

SIZE ID NUMBER	OVERALL H X W X D	INSIDE A X B X C	MOUNTING E X F	J	K	L	M	N	SHIPPING WEIGHT	PANEL NUMBER
CE707HW CE707HPL	7.21 x 7.21 x 5.09 (183 x 183 x 129)	6.65 x 6.65 x 4.84 (169 x 169 x 123)	5.71 x 5.71 (145 x 145)	4.39 (111)	4.25 (108)	4.25 (108)	4.04 (103)	4.04 (103)	4 lbs.	BP66*
CE907HW CE907HPL	9.21 x 7.21 x 5.09 (234 x 183 x 129)	8.59 x 6.59 x 4.84 (218 x 167 x 123)	7.71 x 5.71 (196 x 145)	4.39 (111)	6.25 (159)	4.25 (108)	6.04 (154)	4.04 (103)	4.3 lbs.	BP86*
CE1109HW CE1109HPL	11.21 x 9.21 x 6.09 (285 x 234 x 155)	10.59 x 8.59 x 5.84 (269 x 218 x 148)	9.71 x 7.71 (247 x 196)	5.39 (137)	8.25 (210)	6.25 (159)	8.04 (204)	6.04 (154)	6 lbs.	BP108*
CE1311HW CE1311HPL	13.21 x 11.21 x 6.59 (336 x 285 x 167)	12.59 x 10.59 x 6.34 (320 x 269 x 161)	11.71 x 9.71 (298 x 247)	5.89 (150)	10.25 (260)	8.25 (210)	10.04 (255)	8.04 (204)	7.8 lbs.	BP1210*
CE1513HW CE1513HPL	15.21 x 13.21 x 7.09 (386 x 336 x 180)	14.55 x 12.55 x 6.84 (370 x 319 x 174)	13.71 x 11.71 (348 x 298)	6.39 (162)	12.25 (311)	10.25 (260)	12.04 (306)	10.04 (255)	11.6 lbs.	BP1412*

Centurion | Flush Bonded Window | HW

HINGED, 2 COVER SCREWS



CONSTRUCTION

Material (Box & Cover)	Hot Compression Molded Fiberglass Reinforced Polyester (Thermoset)
Gasket Material	Poured polyurethane seamless gasket
Window	Acrylic - Super Abrasion Resistant (SAR)
Back Panel Screw Size	#10-32 x 3/8
Cover Screw Material	304 Stainless Steel
Cover Screw Size	#10-24 x 1
Cover Screw Torque	20-24 in.-lbs.
Hinge and Latch Hardware	304 Stainless Steel
Soft Edge Design	Rounded Edges, Minimal Protrusions Or Exposed Pocket Areas

INDUSTRY STANDARDS

UL/cUL File #	E64358
NEMA Ratings (UL508A, UL50 & UL50e)	1, 3, 3S, 3R, 4X, 12
CSA Std. C22.2 File #	LR069014
UL 1741 File #	E333478
Temperature Range	(-76°F to +274°F) (-60°C to +134°C)
Flammability Rating	UL94-5V
Window Temperature Range	(-26°F to +170°F) (-32°C to +76°C)
Window Flammability Rating	UL94-HB
Self Extinguishing	Non-Halogenated, Non-flame propagating
NFPA No. 101 Flame Spread	Class A (1)
Certifications	UL, CSA, CE, REACH, RoHS
Outdoor UV Exposure (UL 746C)	(f1) Rated
Chemical Resistance	See chart on page 120

ACCESSORIES

BACK PANELS

Aluminum	BP__A	pg. 108
Carbon Steel	BP__CS	pg. 108

MOUNTING FEET

Mounting Feet	pg. 113
----------------------	---------

ACCESSORIES

4X Breather Vent	pg. 102
4X Drain Vent	pg. 102
Pluggt	pg. 103
Thermal Accessories	pg. 115
All Other Accessories	Pg. 102-117

MODIFICATIONS

Custom Colors	pg. 10-11
Silk Screening	pg. 10-11
EMI/RFI Shielding	pg. 10-11
Custom Window	pg. 10-11
Custom Cutouts/Holes	pg. 10-11

Centurion | Flush Bonded Window | HPL

HINGED, PADLOCK LATCH



CONSTRUCTION

Material (Box & Cover)	Hot Compression Molded Fiberglass Reinforced Polyester (Thermoset)
Gasket Material	Poured polyurethane seamless gasket
Window	Acrylic - Super Abrasion Resistant (SAR)
Back Panel Screw Size	#10-32 x 3/8
Hinge and Latch Hardware	304 Stainless Steel
Soft Edge Design	Rounded Edges, Minimal Protrusions Or Exposed Pocket Areas

INDUSTRY STANDARDS

UL/cUL File #	E64358
NEMA Ratings (UL508A, UL50 & UL50e)	1, 3, 3S, 3R, 4X, 12
CSA Std. C22.2 File #	LR069014
UL 1741 File #	E333478
Temperature Range	(-76°F to +274°F) (-60°C to +134°C)
Flammability Rating	UL94-5V
Window Temperature Range	(-26°F to +170°F) (-32°C to +76°C)
Window Flammability Rating	UL94-HB
Self Extinguishing	Non-Halogenated, Non-flame propagating
NFPA No. 101 Flame Spread	Class A (1)
Certifications	UL, CSA, CE, REACH, RoHS
Outdoor UV Exposure (UL 746C)	(f1) Rated
Chemical Resistance	See chart on page 120

ACCESSORIES

BACK PANELS

Aluminum	BP__A	pg. 108
Carbon Steel	BP__CS	pg. 108

MOUNTING FEET

Mounting Feet	pg. 113
----------------------	---------

ACCESSORIES

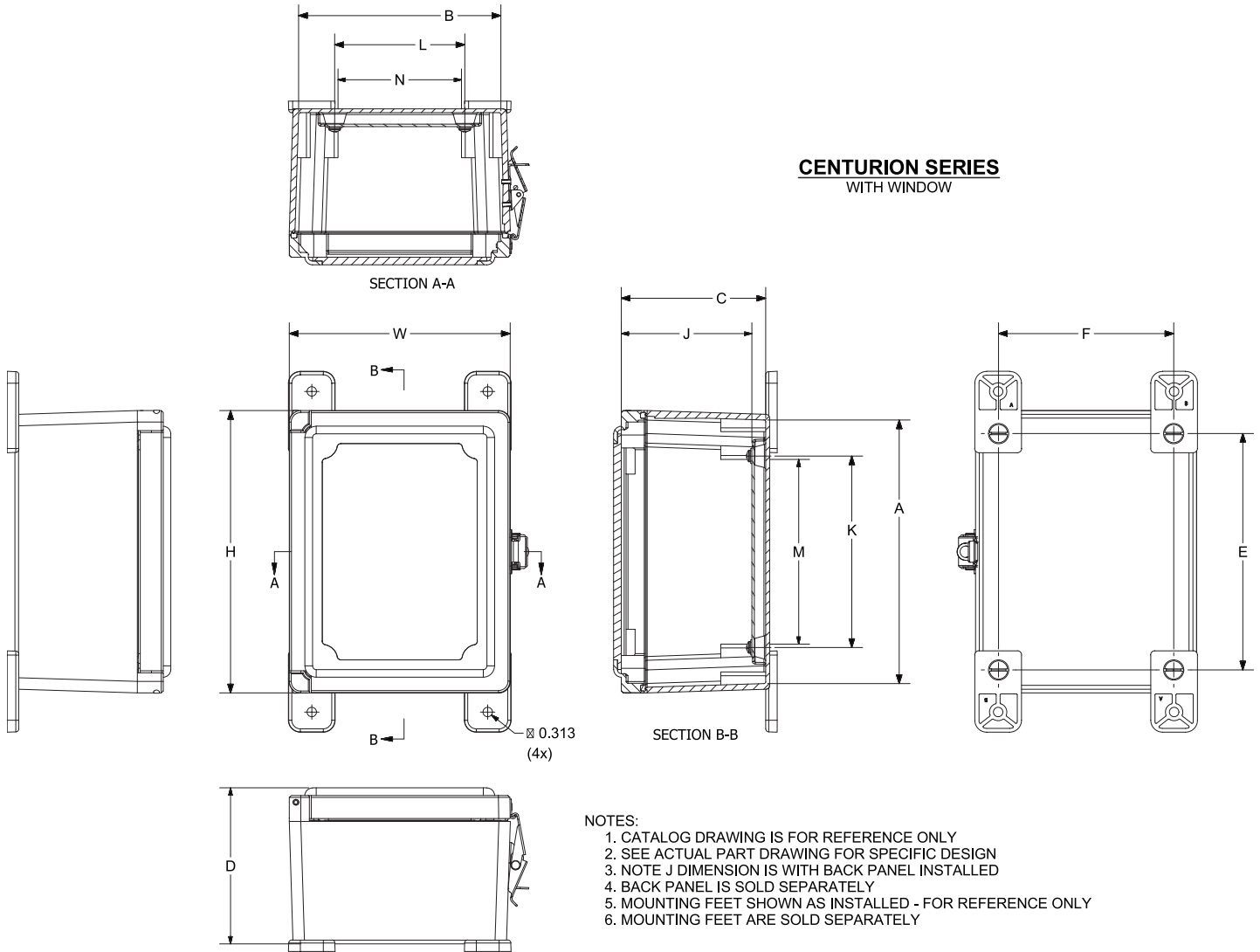
4X Breather Vent	pg. 102
4X Drain Vent	pg. 102
PluggIt	pg. 103
Thermal Accessories	pg. 115
All Other Accessories	Pg. 102-117

MODIFICATIONS

Custom Colors	pg. 10-11
Silk Screening	pg. 10-11
EMI/RFI Shielding	pg. 10-11
Custom Window	pg. 10-11
Custom Cutouts/Holes	pg. 10-11

Centurion | Flush Bonded Window | HW & HPL

TECHNICAL DRAWINGS / DIMENSIONS



CENTURION WINDOW SERIES ENCLOSURES

SIZE ID NUMBER	OVERALL H X W X D	INSIDE A X B X C	WINDOW AREA MAXIMUM	MOUNTING E X F	J	K	L	M	N	SHIPPING WEIGHT	PANEL NUMBER
CEW707HW CEW707HPL	7.21 x 7.21 x 5.09 (183 x 183 x 129)	6.65 x 6.65 x 4.84 (169 x 169 x 123)	5.06 x 5.06 (129 x 129)	5.71 x 5.71 (145 x 145)	4.39 (111)	4.25 (108)	4.25 (108)	4.04 (103)	4.04 (103)	4 lbs.	BP66*
CEW907HW CEW907HPL	9.21 x 7.21 x 5.09 (234 x 183 x 129)	8.59 x 6.59 x 4.84 (218 x 167 x 123)	7.06 x 5.06 (179 x 129)	7.71 x 5.71 (196 x 145)	4.39 (111)	6.25 (159)	4.25 (108)	6.04 (154)	4.04 (103)	4.3 lbs.	BP86*
CEW1109HW CEW1109HPL	11.21 x 9.21 x 6.09 (285 x 234 x 155)	10.59 x 8.59 x 5.84 (269 x 218 x 148)	9.06 x 7.06 (230 x 179)	9.71 x 7.71 (247 x 196)	5.39 (137)	8.25 (210)	6.25 (159)	8.04 (204)	6.04 (154)	6 lbs.	BP108*
CEW1311HW CEW1311HPL	13.21 x 11.21 x 6.59 (336 x 285 x 167)	12.59 x 10.59 x 6.34 (320 x 269 x 161)	11.06 x 9.06 (281 x 230)	11.71 x 9.71 (298 x 247)	5.89 (150)	10.25 (260)	8.25 (210)	10.04 (255)	8.04 (204)	7.8 lbs.	BP1210*
CEW1513HW CEW1513HPL	15.21 x 13.21 x 7.09 (386 x 336 x 180)	14.55 x 12.55 x 6.84 (370 x 319 x 174)	13.06 x 11.06 (332 x 281)	13.71 x 11.71 (348 x 298)	6.39 (162)	12.25 (311)	10.25 (260)	12.04 (306)	10.04 (255)	11.6 lbs.	BP1412*