

Centurion | HW

HINGED, 2 COVER SCREWS



CONSTRUCTION

Material (Box & Cover)	Hot Compression Molded Fiberglass Reinforced Polyester (Thermoset)
Gasket Material	Poured polyurethane seamless gasket
Back Panel Screw Size	#10-32 x 3/8
Cover Screw Material	304 Stainless Steel
Cover Screw Size	#10-24 x 1
Cover Screw Torque	20-24 in.-lbs.
Hinge and Latch Hardware	304 Stainless Steel
Soft Edge Design	Rounded Edges, Minimal Protrusions Or Exposed Pocket Areas

INDUSTRY STANDARDS

UL/cUL File #	E64358
NEMA Ratings (UL508A, UL50 & UL50e)	1, 3, 3S, 3R, 4X, 12
CSA Std. C22.2 File #	LR069014
UL 1741 File #	E333478
Temperature Range	(-76°F to +274°F) (-60°C to +134°C)
Flammability Rating	UL94-5V
Self Extinguishing	Non-Halogenated, Non-flame propagating
NFPA No. 101 Flame Spread	Class A (1)
Certifications	UL, CSA, CE, REACH, RoHS
Outdoor UV Exposure (UL 746C)	(f1) Rated
Chemical Resistance	See chart on page 120

ACCESSORIES

BACK PANELS

Aluminum	BP__A	pg. 108
Carbon Steel	BP__CS	pg. 108

MOUNTING FEET

Mounting Feet	pg. 113
----------------------	---------

ACCESSORIES

4X Breather Vent	pg. 102
4X Drain Vent	pg. 102
PluggIt	pg. 103
Thermal Accessories	pg. 115
All Other Accessories	Pg. 102-117

MODIFICATIONS

Custom Colors	pg. 10-11
Silk Screening	pg. 10-11
EMI/RFI Shielding	pg. 10-11
Custom Window	pg. 10-11
Custom Cutouts/Holes	pg. 10-11

Centurion | HPL

HINGED, PADLOCK LATCH



CONSTRUCTION

Material (Box & Cover)	Hot Compression Molded Fiberglass Reinforced Polyester (Thermoset)
Gasket Material	Poured polyurethane seamless gasket
Back Panel Screw Size	#10-32 x 3/8
Hinge and Latch Hardware	304 Stainless Steel
Soft Edge Design	Rounded Edges, Minimal Protrusions Or Exposed Pocket Areas

INDUSTRY STANDARDS

UL/cUL File #	E64358
NEMA Ratings (UL508A, UL50 & UL50e)	1, 3, 3S, 3R, 4X, 12
CSA Std. C22.2 File #	LR069014
UL 1741 File #	E333478
Temperature Range	(-76°F to +274°F) (-60°C to +134°C)
Flammability Rating	UL94-5V
Self Extinguishing	Non-Halogenated, Non-flame propagating
NFPA No. 101 Flame Spread	Class A (1)
Certifications	UL, CSA, CE, REACH, RoHS
Outdoor UV Exposure (UL 746C)	(f1) Rated
Chemical Resistance	See chart on page 120

ACCESSORIES

BACK PANELS

Aluminum	BP__A	pg. 108
Carbon Steel	BP__CS	pg. 108

MOUNTING FEET

Mounting Feet	pg. 113
----------------------	---------

ACCESSORIES

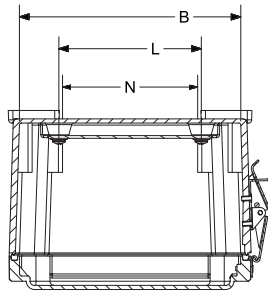
4X Breather Vent	pg. 102
4X Drain Vent	pg. 102
Pluggit	pg. 103
Thermal Accessories	pg. 115
All Other Accessories	Pg. 102-117

MODIFICATIONS

Custom Colors	pg. 10-11
Silk Screening	pg. 10-11
EMI/RFI Shielding	pg. 10-11
Custom Window	pg. 10-11
Custom Cutouts/Holes	pg. 10-11

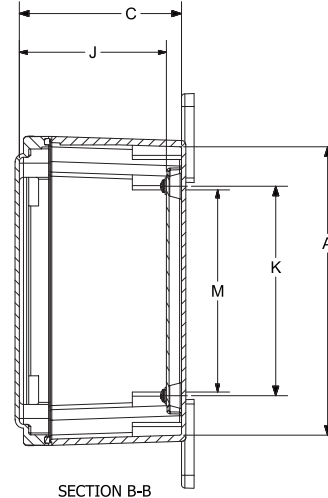
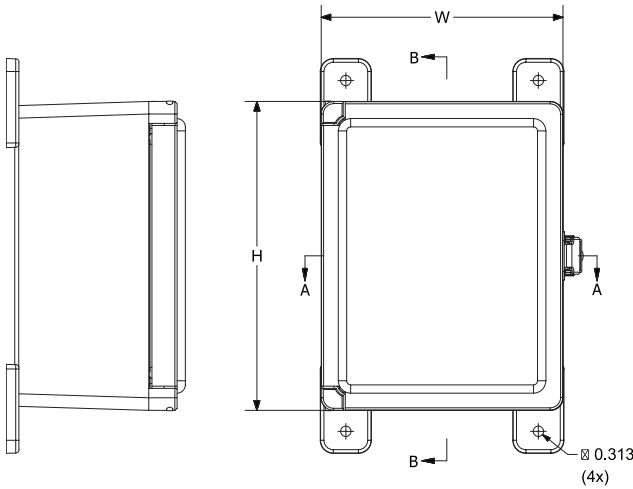
Centurion | HW & HPL

TECHNICAL DRAWINGS / DIMENSIONS

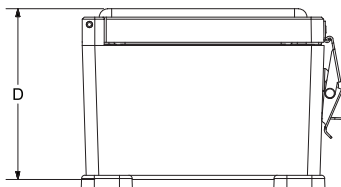
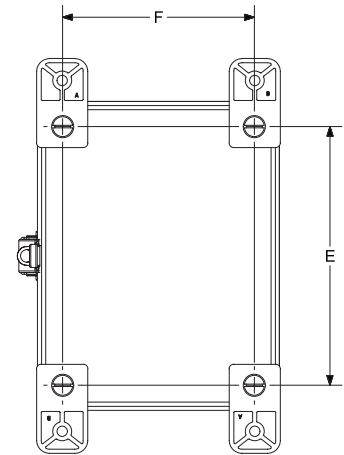


SECTION A-A

CENTURION SERIES



SECTION B-B



NOTES:

1. CATALOG DRAWING IS FOR REFERENCE ONLY
2. SEE ACTUAL PART DRAWING FOR SPECIFIC DESIGN
3. NOTE J DIMENSION IS WITH BACK PANEL INSTALLED
4. BACK PANEL IS SOLD SEPARATELY
5. MOUNTING FEET SHOWN AS INSTALLED - FOR REFERENCE ONLY
6. MOUNTING FEET ARE SOLD SEPARATELY

CENTURION SERIES ENCLOSURES

SIZE ID NUMBER	OVERALL H X W X D	INSIDE A X B X C	MOUNTING E X F	J	K	L	M	N	SHIPPING WEIGHT	PANEL NUMBER
CE707HW CE707HPL	7.21 x 7.21 x 5.09 (183 x 183 x 129)	6.65 x 6.65 x 4.84 (169 x 169 x 123)	5.71 x 5.71 (145 x 145)	4.39 (111)	4.25 (108)	4.25 (108)	4.04 (103)	4.04 (103)	4 lbs.	BP66*
CE907HW CE907HPL	9.21 x 7.21 x 5.09 (234 x 183 x 129)	8.59 x 6.59 x 4.84 (218 x 167 x 123)	7.71 x 5.71 (196 x 145)	4.39 (111)	6.25 (159)	4.25 (108)	6.04 (154)	4.04 (103)	4.3 lbs.	BP86*
CE1109HW CE1109HPL	11.21 x 9.21 x 6.09 (285 x 234 x 155)	10.59 x 8.59 x 5.84 (269 x 218 x 148)	9.71 x 7.71 (247 x 196)	5.39 (137)	8.25 (210)	6.25 (159)	8.04 (204)	6.04 (154)	6 lbs.	BP108*
CE1311HW CE1311HPL	13.21 x 11.21 x 6.59 (336 x 285 x 167)	12.59 x 10.59 x 6.34 (320 x 269 x 161)	11.71 x 9.71 (298 x 247)	5.89 (150)	10.25 (260)	8.25 (210)	10.04 (255)	8.04 (204)	7.8 lbs.	BP1210*
CE1513HW CE1513HPL	15.21 x 13.21 x 7.09 (386 x 336 x 180)	14.55 x 12.55 x 6.84 (370 x 319 x 174)	13.71 x 11.71 (348 x 298)	6.39 (162)	12.25 (311)	10.25 (260)	12.04 (306)	10.04 (255)	11.6 lbs.	BP1412*