

The Design Difference... Unsurpassed Panel Management System®

AttaBox's innovative "Freedom" Panel Management System® enables Freedom users to take maximum advantage of ALL enclosure space...including the inside of the cover!

- Back Panel
- Variable Height Stationary Panel
- Variable Height Swing Panel
- Dead Front Swing Panel
- Cover Panel

The Freedom Panel Management System® Offers Many Benefits:

- Full utilization of both space and design. All space within the enclosure can be accessed and utilized with minimal requirements for additional mounting hardware.
- Panel maneuverability at both the time of assembly and in actual field use.
- Optimized use and function of all usable space within the enclosure while assisting in the mounting of cover mounted devices, such as touchpads and printed circuit boards.
- Maximized visibility of panels that offer critical feedback, such as instrumentation, while preserving the integrity of the enclosure.
- Ability to meet unique visual requirements usually associated with a dead front panel.
- Ability to meet the needs for mounting surface at rear of enclosure.
- Ability to meet end users' design capabilities and field changes that would otherwise require major modification or costly disassembly.
- Ability to externally assemble, then "drop in" to the enclosure DIN rail mounted components, thereby minimizing assembly, modification and field servicing.
- Maximum surface area for pushbutton or touchpad layout. Maximizes end users' design possibilities.
- Ability to meet end users' requirements for the installation of isolated visibility or custom visual requirements.
- Offers restricted access to areas of adjustment and calibration.

Go from This!...



...To This!



Freedom | Panel Management System

BACK PANEL



- Traditional sized back panel
- Common industry mounting footprint
- Wide choice of material

DEAD FRONT SWING PANEL



- Mounts at the front of the enclosure
- Larger surface area when compared to the variable height swing panel
- Hinged on one side, secured to the other
- Used in conjunction with corner mounting posts

VARIABLE HEIGHT STATIONARY PANEL



- Mounts at any height in the enclosure base including as back panel or use as a top stationary dead front panel
- Larger panel area than traditional back panels maximizes surface mounting area
- Used in conjunction with corner mounting posts

VARIABLE HEIGHT SWING PANEL



- Mounts at any height in the enclosure base
- Hinged on one side, secured to the other
- Used in conjunction with corner mounting posts

COVER PANEL



- Stationary panel that mounts to the inside of the enclosure cover.

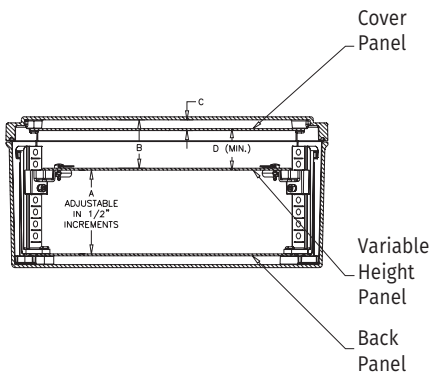
USE MULTIPLE PANELS



Unique. Reliable. Flexible. Revolutionary. It's What You Want It To Be!

Just imagine ... an enclosure system that truly can be what you want...and need...it to be!
 Today, that enclosure system is a reality...with **Freedom**, from AttaBox.

The revolutionary design of **Freedom** provides a one-of-a-kind enclosure architecture that can range from "bare bones" basic yet durable simplicity to a highly customized, sophisticated protective structure.



FREEDOM SERIES ENCLOSURES PANEL MANAGEMENT SYSTEM®

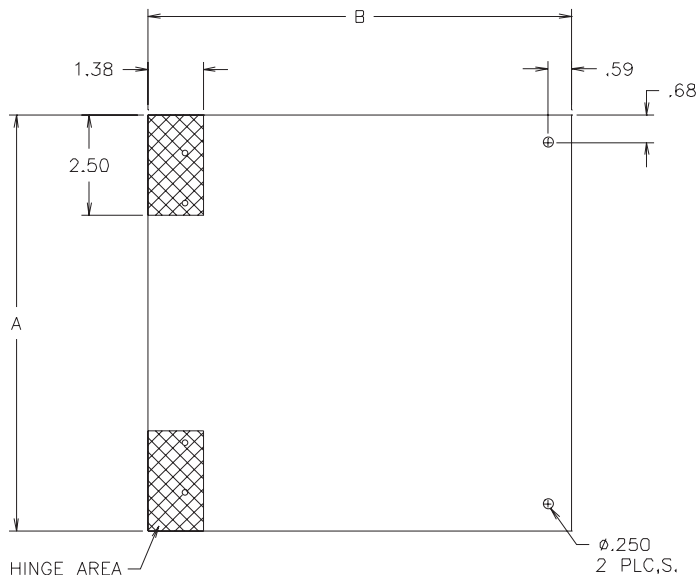
| SIZE ID | FIXED PANEL (MIN) A | SWING PANEL (MIN) A | (MAX) A | OPAQUE/BONDED WINDOW CVR B | CLEAR CVR B | C | D (MIN) |
|---------------|---------------------|---------------------|------------------|----------------------------|------------------|----------------|----------------|
| 60604 | 1.50 (38.1) | 2.00 (50.08) | 2.50 (63.50) | 1.025 (26.03) | 1.025 (26.03) | .375 (9.52) | .57 (14.48) |
| 80604 | 1.50 (38.1) | 2.00 (50.08) | 2.50 (63.50) | 1.025 (26.03) | 1.025 (26.03) | .375 (9.52) | .57 (14.48) |
| 80804 | 1.50 (38.1) | 2.00 (50.08) | 2.50 (63.50) | 1.025 (26.03) | 1.025 (26.03) | .375 (9.52) | .57 (14.48) |
| 100806 | 1.50 (38.1) | 2.00 (50.08) | 4.50 (114.30) | 1.025 (26.03) | 1.025 (26.03) | .375 (9.52) | .57 (14.48) |
| 121006 | 1.50 (38.1) | 2.00 (50.08) | 4.50 (114.30) | 1.025 (26.03) | 0.994 (25.24) | .375 (9.52) | .57 (14.48) |
| 141206 | 1.50 (38.1) | 2.00 (50.08) | 4.50 (114.30) | 1.025 (26.03) | 0.963 (24.44) | .375 (9.52) | .57 (14.48) |
| 141208 | 1.50 (38.1) | 2.00 (50.08) | 6.50 (165.1) | 1.025 (26.03) | 0.963 (24.44) | .375 (9.52) | .57 (14.48) |
| 161408 | 1.50 (38.1) | 2.00 (50.08) | 6.50 (165.1) | 1.025 (26.03) | 0.963 (24.44) | .375 (9.52) | .57 (14.48) |
| 181610 | 1.50 (38.1) | 2.00 (50.08) | 8.50 (215.90) | 1.025 (26.03) | N/A | .375 (9.52) | .57 (14.48) |
| 201610 | 1.50 (38.1) | 2.00 (50.08) | 8.50 (215.90) | 1.025 (26.03) | N/A | .375 (9.52) | .57 (14.48) |

Note: Swing and stationary panels adjust in 1/2" increments
 "C" not applicable for clear cover
 Cover panel kit not available for clear cover options

VARIABLE HEIGHT SWING PANEL

| PART NUMBER | A | B | PANEL THK. | PANEL TYPE |
|-----------------|----------------|----------------|-------------|------------|
| P806ASA | 6.38 (162) | 6.56 (1167) | .080 (2) | Flat |
| P808ASA | 6.38 (162) | 8.56 (217) | .080 (2) | Flat |
| P1008ASA | 8.38 (213) | 8.56 (217) | .080 (2) | Flat |
| P1210ASA | 10.38 (264) | 10.56 (268) | .080 (2) | Flat |
| P1412ASA | 12.38 (314) | 12.56 (319) | .080 (2) | Flat |
| P1614ASA | 14.38 (365) | 14.56 (370) | .080 (2) | Flat |
| P1816ASA | 16.38 (416) | 16.56 (421) | .080 (2) | Flat |
| P2016ASA | 18.38 (467) | 16.56 (421) | .080 (2) | Flat |

Caution: Metric units are for reference; do not convert.

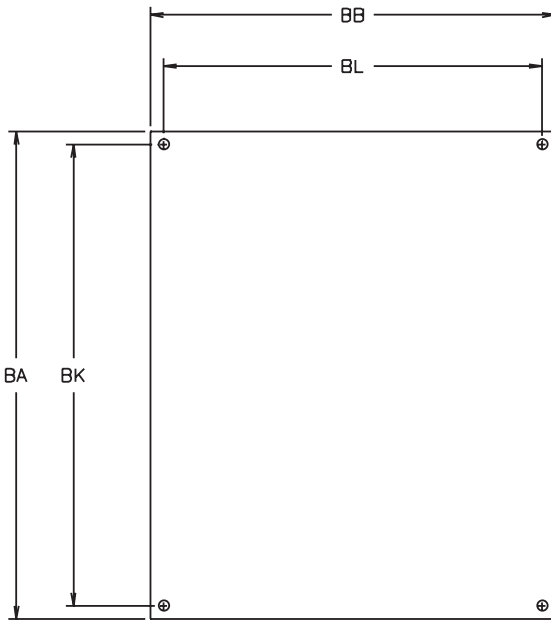
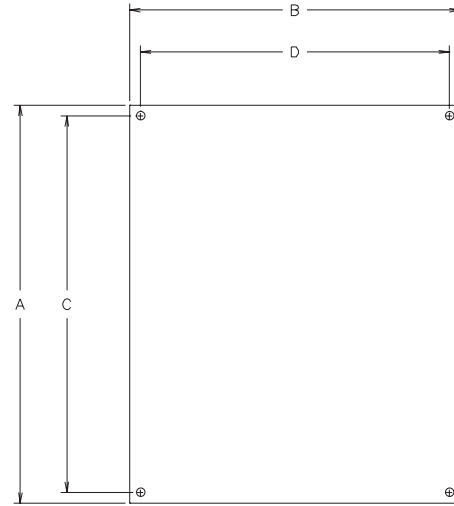


Freedom | Panel Management System

COVER PANEL DIMENSIONS

| PART NUMBER | A | B | C | D | PANEL THK. | PANEL TYPE | HOLE DIA | #OF HOLES |
|-------------|----------------|----------------|----------------|----------------|-------------|------------|------------|-----------|
| CP606AL | 5.64 (143) | 5.64 (143) | 5.02 (127) | 5.02 (127) | .080 (2) | Flat | .25 (6) | 4 |
| CP806AL | 7.68 (195) | 5.64 (143) | 7.05 (179) | 5.02 (127) | .080 (2) | Flat | .25 (6) | 4 |
| CP808AL | 7.68 (195) | 7.68 (195) | 7.05 (179) | 7.05 (179) | .080 (2) | Flat | .25 (6) | 4 |
| CP1008AL | 9.71 (247) | 7.71 (196) | 9.08 (231) | 7.08 (180) | .080 (2) | Flat | .25 (6) | 4 |
| CP1210AL | 11.74 (298) | 9.74 (247) | 11.12 (282) | 9.12 (232) | .080 (2) | Flat | .25 (6) | 4 |
| CP1412AL | 13.78 (350) | 11.78 (299) | 13.15 (334) | 11.15 (283) | .080 (2) | Flat | .25 (6) | 4 |
| CP1614AL | 15.81 (402) | 13.81 (351) | 15.18 (386) | 13.18 (334) | .080 (2) | Flat | .25 (6) | 4 |
| CP1816AL | 17.94 (456) | 15.94 (405) | 17.31 (440) | 15.31 (389) | .080 (2) | Flat | .25 (6) | 4 |
| CP2016AL | 19.76 (502) | 15.76 (400) | 19.13 (486) | 15.13 (384) | .080 (2) | Flat | .25 (6) | 4 |

Caution: Metric units are for reference; do not convert.



BACK PANEL DIMENSIONS

| PART NUMBER | BA | BB | BK | BL | PANEL THK. | PANEL TYPE | HOLE DIA. | #OF HOLES |
|-------------|----------------|----------------|----------------|----------------|-------------|------------|------------|-----------|
| BP66 | 4.88 (124) | 4.88 (124) | 4.25 (108) | 4.25 (108) | .080 (2) | Flat | .25 (6) | 4 |
| BP86 | 6.88 (175) | 4.88 (124) | 6.25 (159) | 4.25 (108) | .080 (2) | Flat | .25 (6) | 4 |
| BP88 | 6.88 (175) | 6.88 (175) | 6.25 (159) | 6.25 (159) | .080 (2) | Flat | .25 (6) | 4 |
| BP108 | 8.88 (225) | 6.88 (175) | 8.25 (210) | 6.25 (159) | .080 (2) | Flat | .25 (6) | 4 |
| BP1210 | 10.88 (276) | 8.88 (225) | 10.25 (260) | 8.25 (210) | .080 (2) | Flat | .25 (6) | 4 |
| BP1412 | 12.88 (327) | 10.88 (276) | 12.25 (311) | 10.25 (260) | .080 (2) | Flat | .25 (6) | 4 |
| BP1614 | 14.88 (378) | 12.88 (327) | 14.25 (362) | 12.25 (311) | .080 (2) | Flat | .25 (6) | 4 |
| BP1816 | 16.88 (429) | 14.88 (378) | 16.25 (413) | 14.25 (362) | .080 (2) | Flat | .25 (6) | 4 |
| BP2016 | 18.88 (480) | 14.88 (378) | 18.25 (464) | 14.25 (362) | .090 (2) | Flat | .25 (6) | 4 |

Caution: Metric units are for reference; do not convert.

Suffix - Available materials

AL - Aluminum

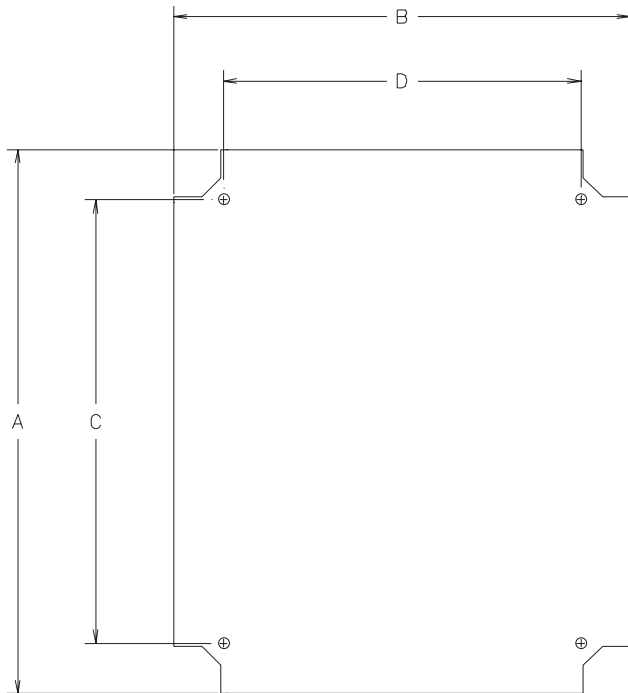
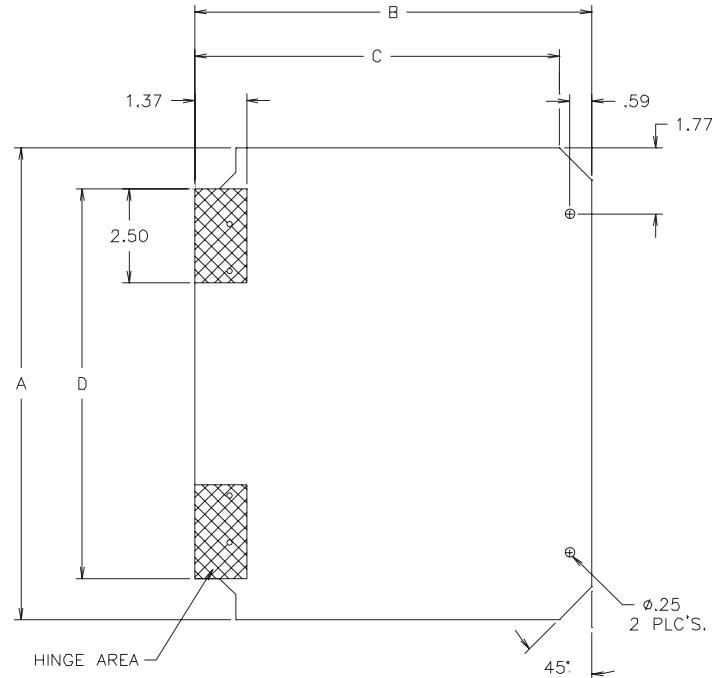
CS - Painted Carbon Steel

Example: BP1210A

DEAD FRONT SWING PANEL DIMENSIONS

| PART NUMBER | A | B | C | D | PANEL THK. | PANEL TYPE |
|-----------------|----------------|----------------|----------------|----------------|-------------|------------|
| P806SWA | 8.56 (217) | 6.56 (167) | 5.70 (145) | 6.37 (162) | .080 (2) | Flat |
| P808SWA | 8.56 (217) | 8.56 (217) | 7.70 (196) | 6.37 (162) | .080 (2) | Flat |
| P1008SWA | 10.56 (268) | 8.56 (217) | 7.70 (196) | 8.37 (213) | .080 (2) | Flat |
| P1210SWA | 12.56 (319) | 10.56 (268) | 10.37 (246) | 9.70 (263) | .080 (2) | Flat |
| P1412SWA | 14.56 (370) | 12.56 (319) | 11.70 (297) | 12.37 (314) | .080 (2) | Flat |
| P1614SWA | 16.56 (421) | 14.56 (370) | 15.57 (399) | 14.37 (365) | .080 (2) | Flat |
| P1816SWA | 18.56 (471) | 16.56 (421) | 15.70 (399) | 16.37 (467) | .080 (2) | Flat |
| P2016SWA | 20.56 (522) | 16.56 (421) | 15.70 (399) | 18.37 (467) | .080 (2) | Flat |

Caution: Metric units are for reference; do not convert.



VARIABLE HEIGHT STATIONARY PANEL DIMENSIONS

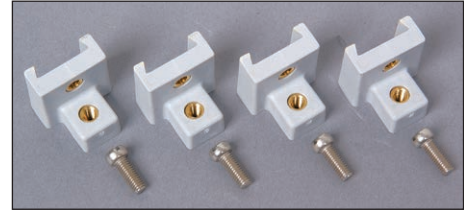
| PART NUMBER | A | B | C | D | PANEL THK. | PANEL TYPE | HOLE DIA. | #OF HOLES |
|-----------------|----------------|----------------|----------------|----------------|-------------|------------|------------|-----------|
| P606STA | 6.56 (167) | 6.56 (167) | 4.25 (108) | 4.25 (108) | .080 (2) | Flat | .25 (6) | 4 |
| P806STA | 8.56 (217) | 6.56 (167) | 6.25 (159) | 4.25 (108) | .080 (2) | Flat | .25 (6) | 4 |
| P808STA | 8.56 (217) | 8.56 (217) | 6.25 (159) | 6.25 (159) | .080 (2) | Flat | .25 (6) | 4 |
| P1008STA | 10.56 (268) | 8.56 (217) | 8.25 (210) | 6.25 (159) | .080 (2) | Flat | .25 (6) | 4 |
| P1210STA | 12.56 (319) | 10.56 (268) | 10.25 (210) | 8.25 (260) | .080 (2) | Flat | .25 (6) | 4 |
| P1412STA | 14.56 (370) | 12.56 (319) | 12.25 (311) | 10.25 (260) | .080 (2) | Flat | .25 (6) | 4 |
| P1614STA | 16.56 (421) | 14.56 (370) | 14.25 (362) | 12.25 (311) | .080 (2) | Flat | .25 (6) | 4 |
| P1816STA | 18.56 (471) | 16.56 (421) | 16.25 (413) | 14.25 (362) | .080 (2) | Flat | .25 (6) | 4 |
| P2016STA | 20.56 (522) | 16.56 (421) | 18.25 (464) | 14.25 (362) | .080 (2) | Flat | .25 (6) | 4 |

Caution: Metric units are for reference; do not convert.

Freedom | Panel Management System

PANEL KITS - ACCESSORIES ONLY, PANELS NOT INCLUDED

| SIZE ID | STATIONARY PANEL ACCESSORY KIT | STATIONARY PANEL BRACKET KIT | SWING PANEL ACCESSORY KIT | SWING PANEL BRACKET KIT | CORNER POST KIT |
|---------|--------------------------------|------------------------------|---------------------------|-------------------------|-----------------|
| 60604 | FR4PKA | FRAPBKT | N/A | N/A | FR4POST |
| 80604 | FR4PKA | FRAPBKT | FR4SPKA | FRSPBKT | FR4POST |
| 80804 | FR4PKA | FRAPBKT | FR4SPKA | FRSPBKT | FR4POST |
| 100806 | FR6PKA | FRAPBKT | FR6SPKA | FRSPBKT | FR6POST |
| 121006 | FR6PKA | FRAPBKT | FR6SPKA | FRSPBKT | FR6POST |
| 141206 | FR6PKA | FRAPBKT | FR6SPKA | FRSPBKT | FR6POST |
| 141208 | FR8PKA | FRAPBKT | FR8SPKA | FRSPBKT | FR8POST |
| 161408 | FR8PKA | FRAPBKT | FR8SPKA | FRSPBKT | FR8POST |
| 181610 | FR10PKA | FRAPBKT | FR10SPKA | FRSPBKT | FR10POST |
| 201610 | FR10PKA | FRAPBKT | FR10SPKA | FRSPBKT | FR10POST |



Stationary Panel Bracket Kit



Swing Panel Accessory Kit



Swing Panel Bracket Kit



Corner Post Kit



Stationary Panel Accessory Kit



Dead Front Swing Panel & Swing Panel Accessory Kit

PANEL & ACCESSORY COMBINATION KITS, INCLUDES PANEL

| SIZE ID | DEAD FRONT SWING PANEL & ACCESS. KIT | VARIABLE HEIGHT SWING PANEL & ACCESS. KIT | VARIABLE HEIGHT STATIONARY PNL & ACCESS. KIT | VARIABLE HEIGHT BACK PNL & ACCESS. KIT |
|---------|--------------------------------------|---|--|--|
| 60604 | N/A | N/A | FR60604PKA | FR60604BPKA |
| 80604 | FR80604SPK | FR80604SPKA | FR80604PKA | FR80604BPKA |
| 80804 | FR80804SPK | FR80804SPKA | FR80804PKA | FR80804BPKA |
| 100806 | FR100806SPK | FR100806SPKA | FR100806PKA | FR100806BPKA |
| 121006 | FR121006SPK | FR121006SPKA | FR121006PKA | FR121006BPKA |
| 141206 | FR141206SPK | FR141206SPKA | FR141206PKA | FR141206BPKA |
| 141208 | FR141208SPK | FR141208SPKA | FR141208PKA | FR141208BPKA |
| 161408 | FR161408SPK | FR161408SPKA | FR161408PKA | FR161408BPKA |
| 181610 | FR181610SPK | FR181610SPKA | FR181610PKA | FR181610BPKA |
| 201610 | FR201610SPK | FR201610SPKA | FR201610PKA | FR201610BPKA |



Variable Height Swing Panel & Swing Panel Accessory Kit



Variable Height Back Panel & Stationary Panel Accessory Kit



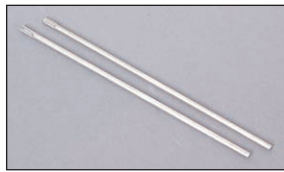
Variable Height Stationary Panel & Stationary Panel Accessory Kit



Mounting Feet



Cover Screw Kit



Hinge Kit

OTHER ACCESSORY KITS

| SIZE ID | MTG. FOOT KIT | OPAQUE COVER SCREW KIT | PULL LATCH KIT | HINGE KIT |
|---------------|---------------|------------------------|----------------|-------------|
| 60604 | FRMGFTKIT | FRWKIT | FRHPLKIT | FR3HINGEKIT |
| 80604 | FRMGFTKIT | FRWKIT | FRHPLKIT | FR4HINGEKIT |
| 80804 | FRMGFTKIT | FRWKIT | FRHPLKIT | FR4HINGEKIT |
| 100806 | FRMGFTKIT | FRWKIT | FRHPLKIT | FR5HINGEKIT |
| 121006 | FRMGFTKIT | FRWKIT | FRHPLKIT | FR5HINGEKIT |
| 141206 | FRMGFTKIT | FRWKIT | FRHPLKIT | FR6HINGEKIT |
| 141208 | FRMGFTKIT | FRWKIT | FRHPLKIT | FR6HINGEKIT |
| 161408 | FRMGFTKIT | FRWKIT | FRHPLKIT | FR6HINGEKIT |
| 181610 | FRMGFTKIT | FRWKIT | FRHPLKIT | FR6HINGEKIT |
| 201610 | FRMGFTKIT | FRWKIT | FRHPLKIT | FR6HINGEKIT |



Lockable Pull Latch Kit

Freedom | Covers Only

OPAQUE COVERS

VIEWING WINDOW COVERS

| PART NUMBER | PART NUMBER |
|------------------|-------------------|
| FR606CVR | FRW606CVR |
| FR806CVR | FRW806CVR |
| FR808CVR | FRW808CVR |
| FR1008CVR | FRW1008CVR |
| FR1210CVR | FRW1210CVR |
| FR1412CVR | FRW1412CVR |
| FR1614CVR | FRW1614CVR |
| FR1816CVR | FRW1816CVR |
| FR2016CVR | FRW2016CVR |