

## Vapor Capsule



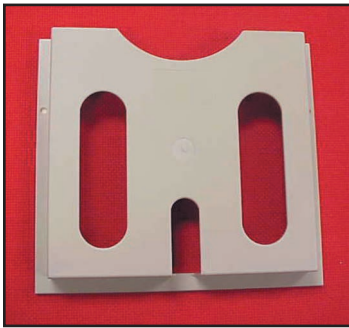
Robroy Vapor Capsules contain a unique vapor phase inhibitor designed to protect metallic surfaces within an enclosure against airborne corrosion.

CATALOG NUMBER

**REVC21**

Note: Radius of Protection: 2 ft.  
Normal Life Span: 1 yr.

## Plastic Print Pocket



Robroy's Print Pocket is self adhesive and can be utilized to store prints or other important documents within the enclosure.

CATALOG NUMBER

**REPRTPKT**

HEIGHT

9.3"

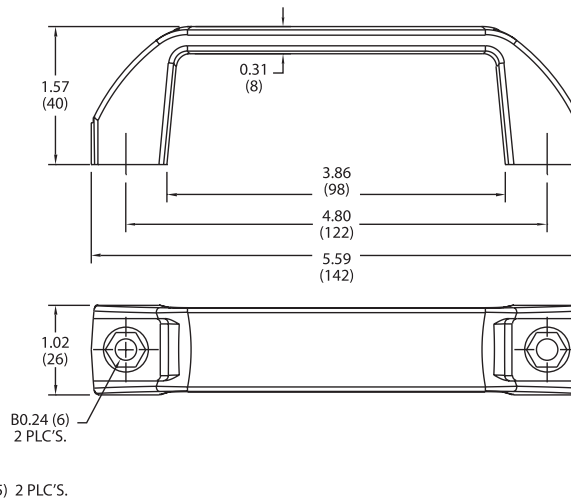
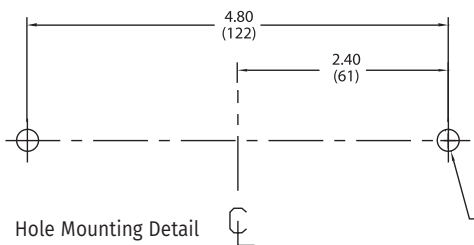
WIDTH

10.4"

DEPTH

1.2"

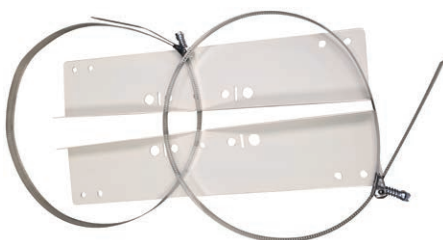
## Mountable Carrying Handle



CATALOG NUMBER

**RECH109506**

## Pole Mount



Kit fits enclosure side that will be mounted perpendicular to pole. Comes with top and bottom flanges, stainless steel straps, and mounting screws.

CATALOG NUMBER

**PM6-8**

**PM10-12**

**PM14-16**

**PM18-24**